

design **TOSCANO**[®]

**INSTRUCTIONS
FOR YOUR PRODUCT**

AF-1602
Cleopatra Neoclassical Chaise

Thank you for your recent purchase of this Design Toscano hand-crafted piece of furniture art. We have taken great care to create this piece especially for you. Please review these instructions and assemble this piece with care. Do not over tighten any screw or bolt connection.

Parts

A (1 PC)



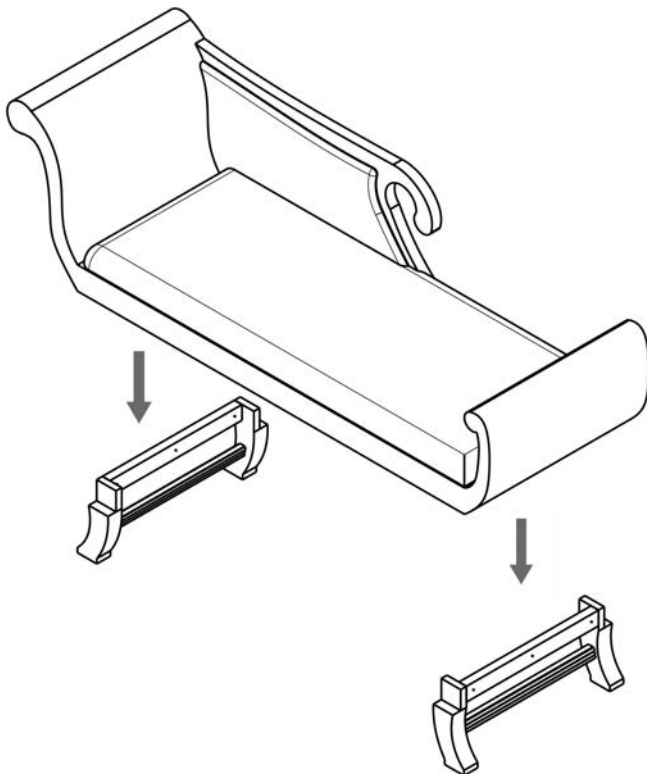
B (6 PCS)



C (6 PCS)

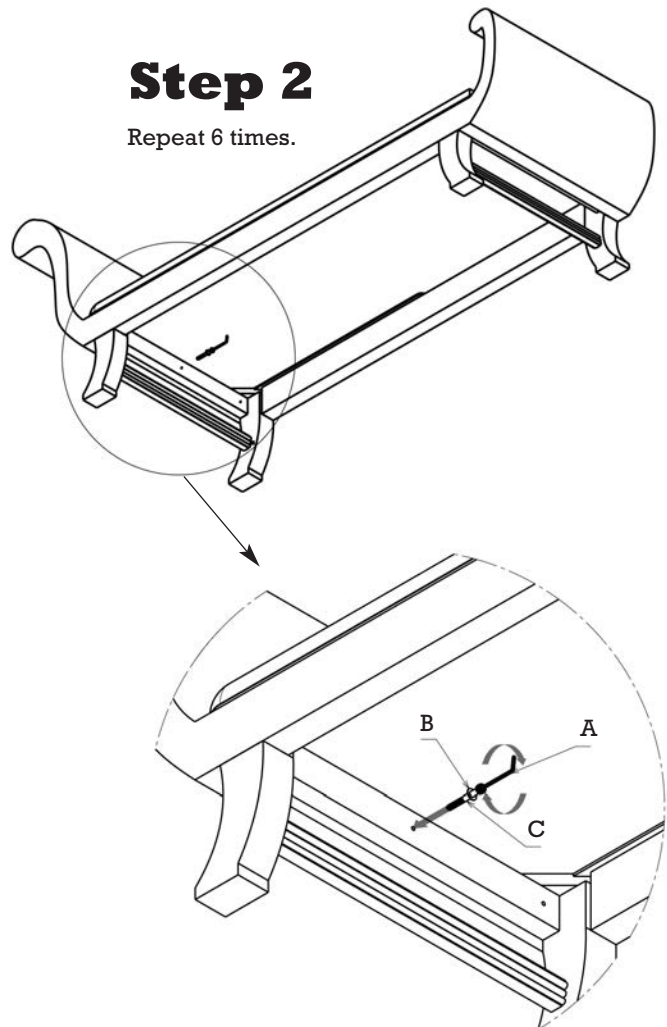


Step 1



Step 2

Repeat 6 times.



©Copyright 2017, Design Toscano, Inc.

1.800.525.0733
DESIGNTOSCANO.COM

**THANK YOU FOR
YOUR PURCHASE**